

# ACON<sup>®</sup> Multi Line Drug Test Card

## Drug Test Certification Quiz

Instructions: This is a multiple-choice test. Read the questions completely before choosing the best answer. Click on the radio button that corresponds to the best answer.

**\*Note that Name, Organization, Address and E-mail are required fields.**

\*Name:

\*Organization:

\*Address No.& Street:

\*City:

\*State:

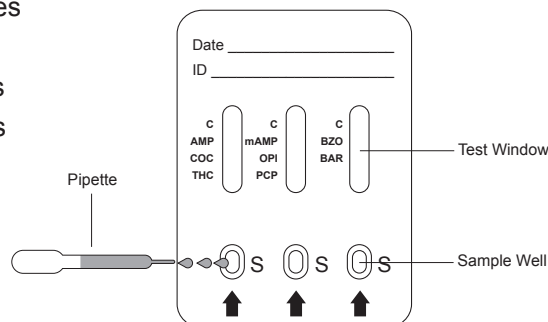
\*Zip

\*E-mail:

\*Phone:

Fax:

- When collecting specimen in a cup, what should the temperature range be?
  - 90-100°C
  - 85-95°F
  - 90-100°F
  - 85-95°C
- The absence of a line next to a drug abbreviation indicates a \_\_\_\_\_ for that particular drug.
  - Non-Negative
  - Negative
  - Invalid
  - All of the above
- When collecting specimen, transfer \_\_\_\_\_ full drops of urine to each specimen well of the test device.
  - 3
  - 5
  - 2
  - None of the above
- Negative results may be interpreted as soon as all lines are visible. Non-negative results should only be interpreted at \_\_\_\_\_.
  - 10 minutes
  - 1 minute
  - 3 minutes
  - 5 minutes



Distributed by:

**CLIA**waived.com<sup>™</sup>

PRINT AND FAX THIS FORM TO: (801) 720-7568

# ACON<sup>®</sup> Multi Line Drug Test Card

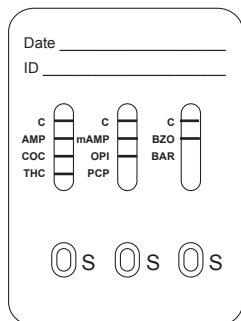
5. Match the appropriate abbreviation to the drug name:

a. Marijuana	COC	PCP	mAMP	AMP	OPI	THC
b. Amphetamines	COC	PCP	mAMP	AMP	OPI	THC
c. Cocaine	COC	PCP	mAMP	AMP	OPI	THC
d. Opiates/Morphine	COC	PCP	mAMP	AMP	OPI	THC
e. Phencyclidine	COC	PCP	mAMP	AMP	OPI	THC
f. Methamphetamine	COC	PCP	mAMP	AMP	OPI	THC

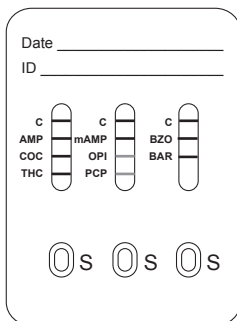
6. Match the appropriate abbreviation to the drug name:

a. Ecstasy (Methylenedioxymethamphetamine)	BZO	BAR	TCA	MDMA	PPX	MTD	OXY
b. Oxycodone	BZO	BAR	TCA	MDMA	PPX	MTD	OXY
c. Propoxyphene	BZO	BAR	TCA	MDMA	PPX	MTD	OXY
d. Tricyclic Antidepressants	BZO	BAR	TCA	MDMA	PPX	MTD	OXY
e. Benzodiazepines	BZO	BAR	TCA	MDMA	PPX	MTD	OXY
f. Barbiturates	BZO	BAR	TCA	MDMA	PPX	MTD	OXY
g. Methadone	BZO	BAR	TCA	MDMA	PPX	MTD	OXY

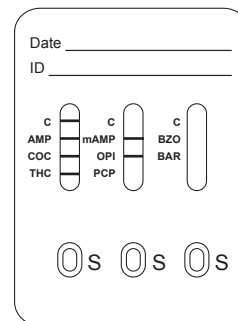
7. Identify the results as either: Non-Negative, Negative, or Invalid.



Non-Negative  
Negative  
Invalid



Non-Negative  
Negative  
Invalid



Non-Negative  
Negative  
Invalid