

PCR 8-Strip Tubes

NEST has both transparent and white PCR strip tubes, which respectively apply to the general PCR and qPCR reactions.

Features

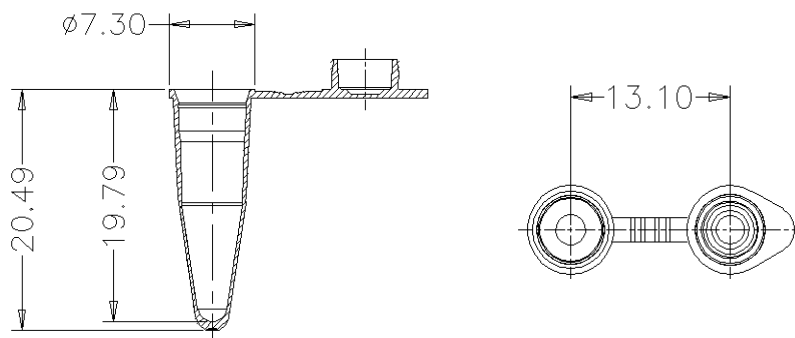
1. Made from USP grade VI polypropylene
2. 0.1mL tubes are low profile which are designed to minimize the condensate contamination, particularly for the overnight experiment, and also reduce the evaporation of the reaction solution.
3. Free of Dnase and Rnase, human DNA and PCR inhibitor.
4. White strip tubes increase the fluorescent signal strength of real-time PCR.

Product Range

Cat.No.	Description	/pack	/case
401001	0.2 mL PCR Tubes, Flat Caps, Clear, 500/bag,1000/box	/	10000
403102	0.1 mL PCR 8-strip Tubes, Clear	125	1250
403002	0.2 mL PCR 8-strip Tubes, Clear	125	1250
403112	0.1 mL PCR 8-strip Tubes, White	125	1250
403012	0.2 mL PCR 8-strip Tubes, White	125	1250
404001	0.2 mL PCR 8-strip Tubes, With Flat caps, Clear, 12/bag	120	1200
406012	Flat 8-strip Caps	125	1250
406112	Domed 8-strip Caps	125	1250

Technical Drawing

401001



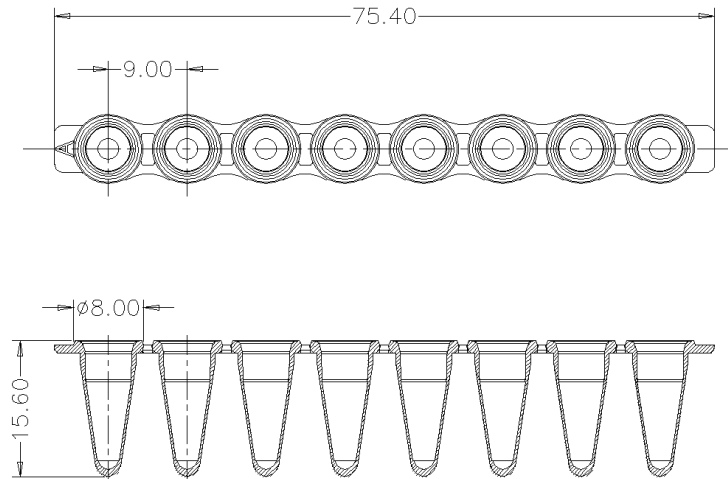
**NEST
China**

Tel : 0510-6878 8698 / 6878 8718
 Email : info@nest-wuxi.com
 Website : www.cell-nest.com
 Add : No.530, xida road, new district, Wuxi, Jiangsu, China

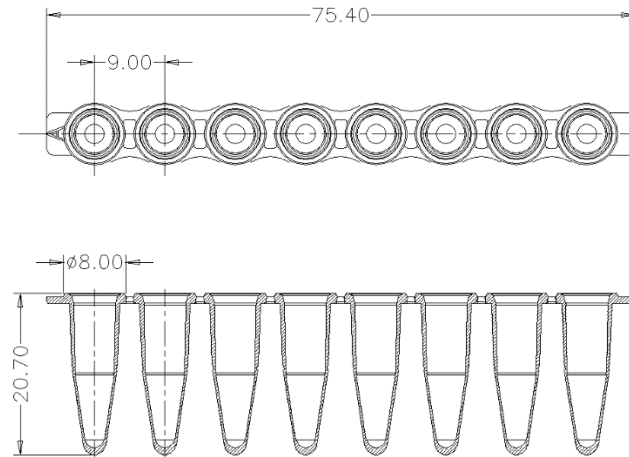
**NEST
USA**

Tel : +1-732-381-0268
 Email : info@nestscientificusa.com
 Website : www.nestscientificusa.com
 Add : 1592 Hart St., Rahway, NJ07065, USA

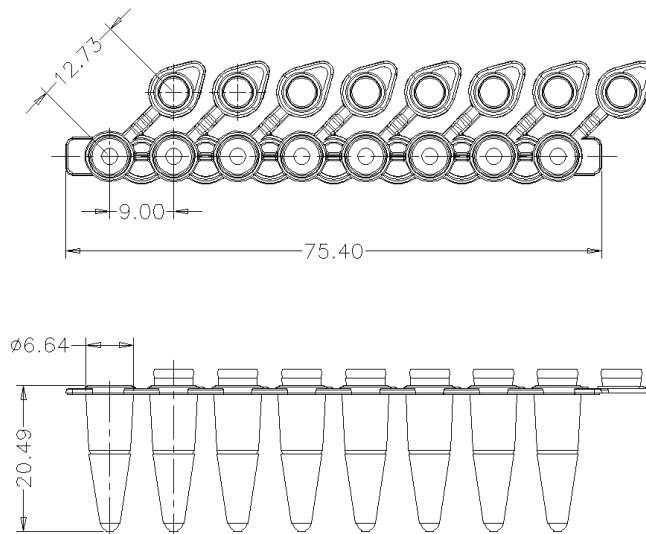
403102/403112



403002/403012



404001



NEST China	Tel	: 0510-6878 8698 / 6878 8718	NEST USA	Tel	: +1-732-381-0268
	Email	: info@nest-wuxi.com		Email	: info@nestscientificusa.com
	Website	: www.cell-nest.com		Website	: www.nestscientificusa.com
	Add	: No.530, xida road, new district, Wuxi, Jiangsu, China		Add	: 1592 Hart St., Rahway, NJ07065, USA