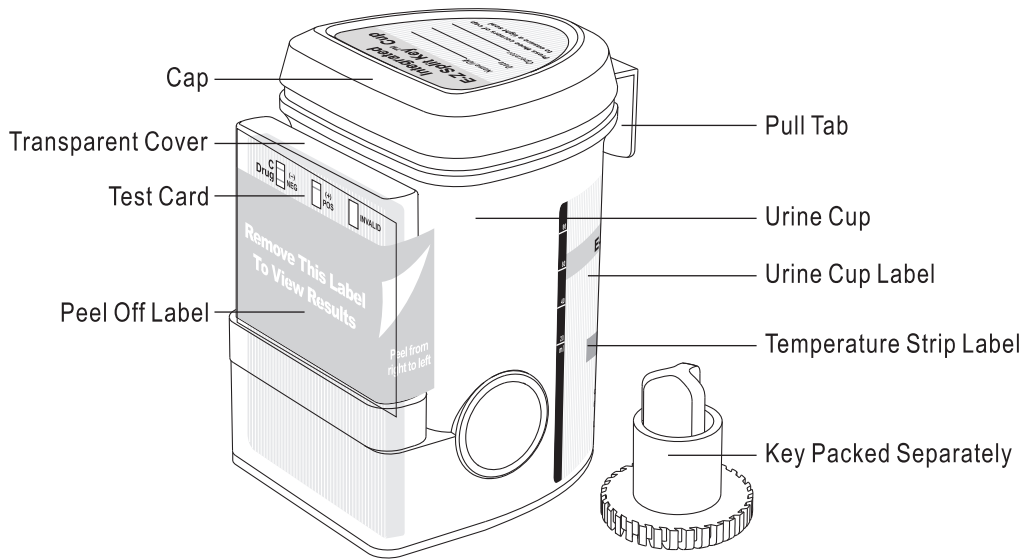


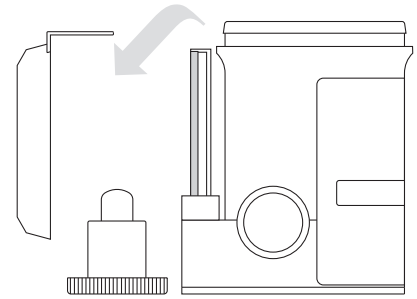
Integrated E-Z Split Key™ Cup Procedure Card with Adulteration Test



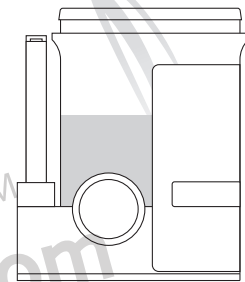
Date _____ Initials _____

Security Seal — Security Seal Label

1 Remove cap.
(Key is held by technician.)



2 Donor provides specimen and secures cap. Note: Secure cap by pressing down on all three corners.

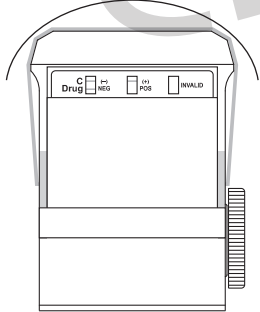


3 Check cap for tight seal. Technician dates and initials the security seal and places security seal over cap.

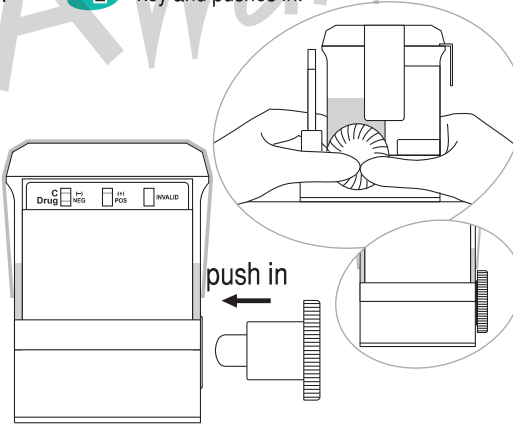
Date _____ Initials _____

Security Seal

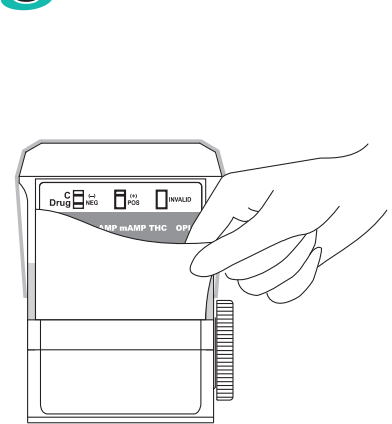
Place security seal over cup



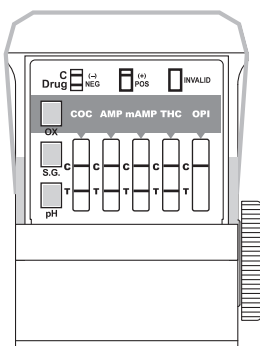
4 On a flat surface, technician inserts key and pushes in.



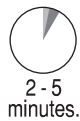
5 Peel off the label to view results



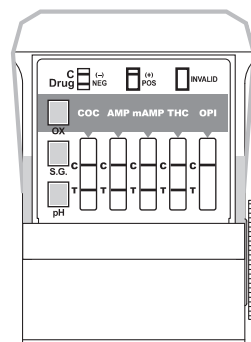
6 Read adulteration test results between 2 - 5 minutes.



Adulteration Strip
See color chart and package insert for interpretation.



7 Test is read while in reaction well.



Example: test shows positive for OPI



Read results at 5 minutes.

C Drug **NEGATIVE**

C Drug **POSITIVE**

C Drug **INVALID**

All positive results are presumptive and should be confirmed by an alternative method (e.g. GC/MS)

8 A photocopy of the results can be made by placing the entire cup with the card face down on the copier.

